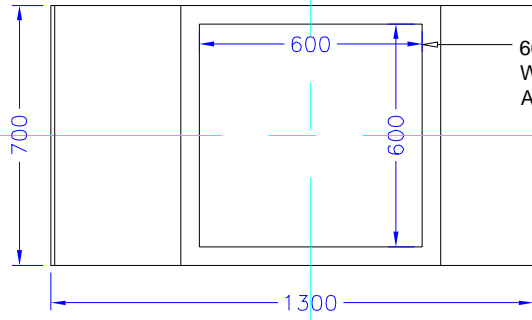


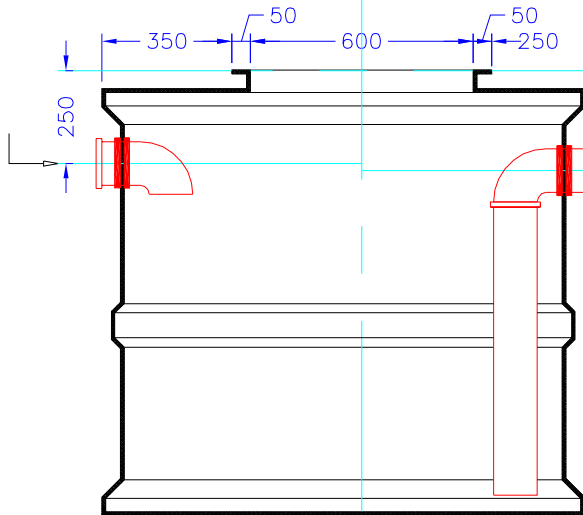
A. →



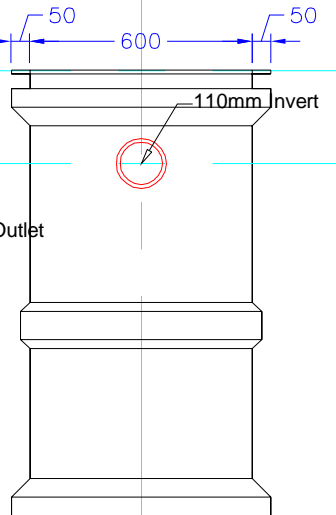
← B.

**Plan.**

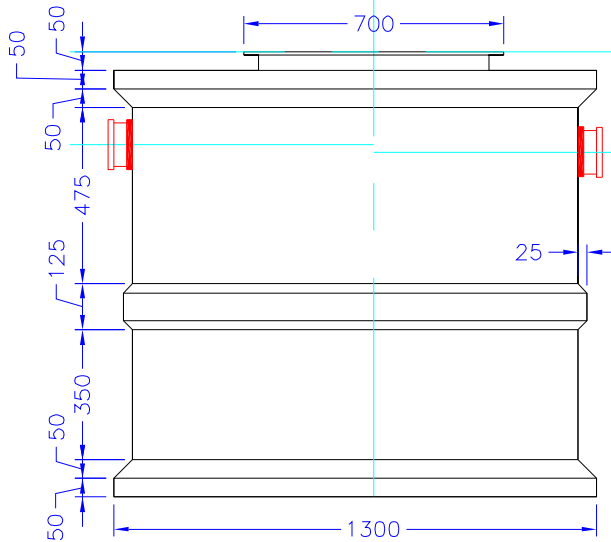
110mm Invert



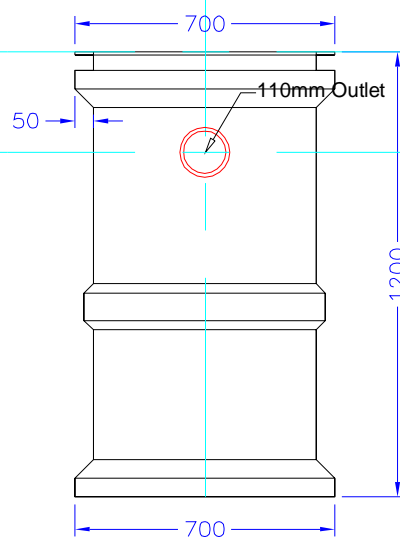
**Section Through.**



**Elevation A.**



**Side Elevation.**



**Elevation B.**

Scale:	1:20
Drawn by:	R.G.W.
Date:	10-2003

**Grease Trap  
900 Litre**

Drawing No:	1061	Revision:	
-------------	------	-----------	--