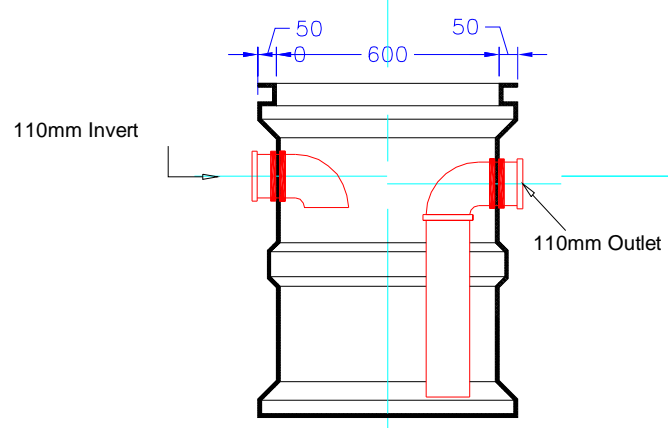
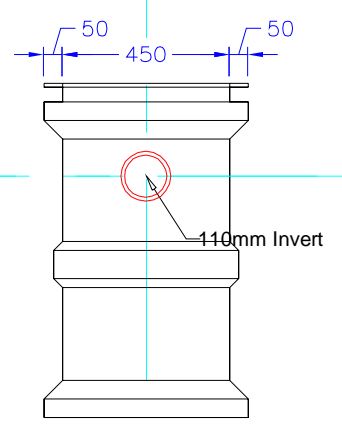


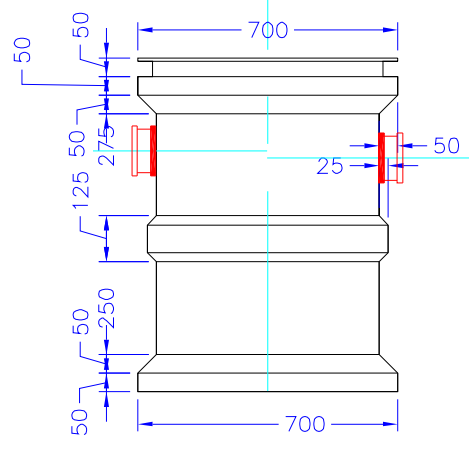
Plan.



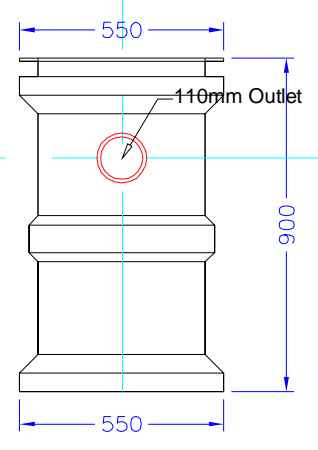
Section Through.



Elevation A.



Side Elevation.



Elevation B.

Scale:	1:20		Title:	Grease Trap 200 Litre	
Drawn by:	R.G.W.		Date:	11-2003	Revision:
	Drawing No:	1062			