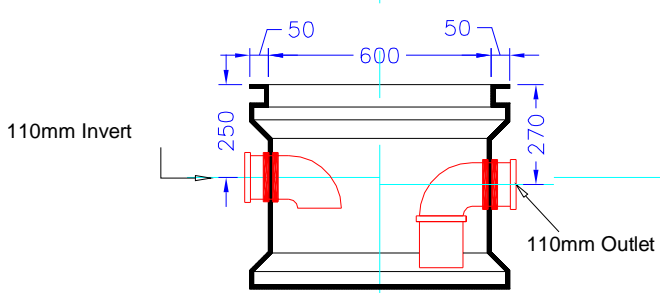
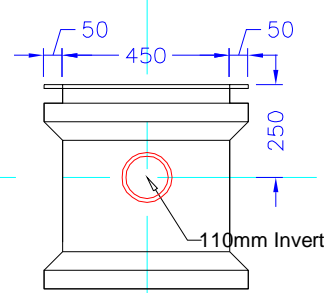


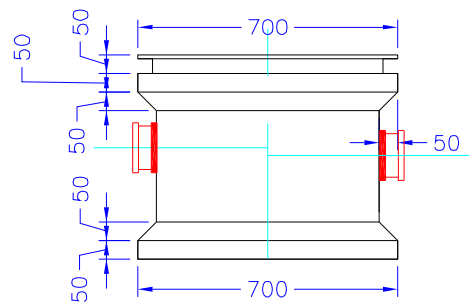
Plan.



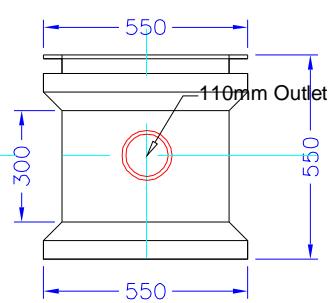
Section Through.



Elevation A.



Side Elevation.



Elevation B.

Scale:	1:20
Drawn by:	R.G.W.
Date:	11-2003

Title:		Grease Trap 150 Litre
Drawing No:	1064	
Revision:		