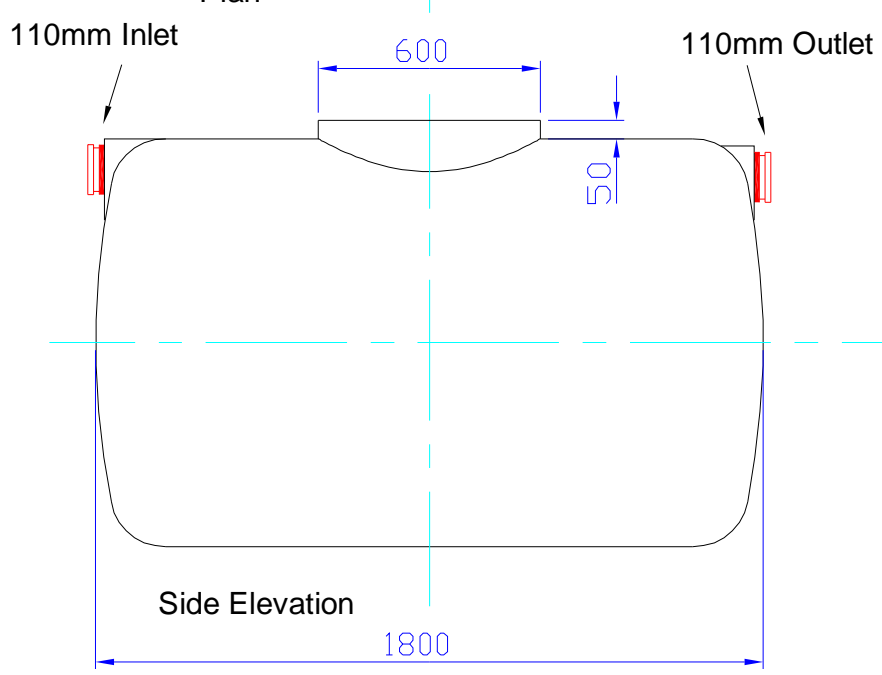
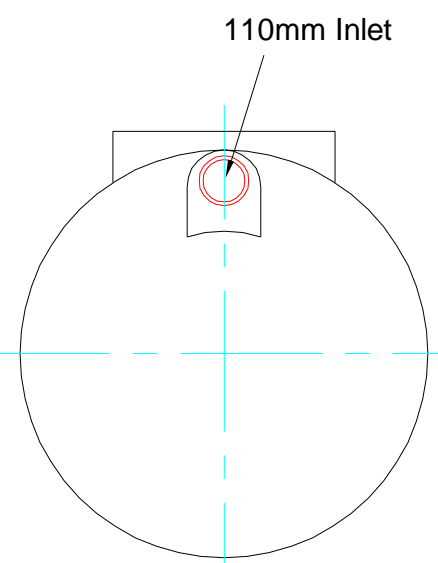


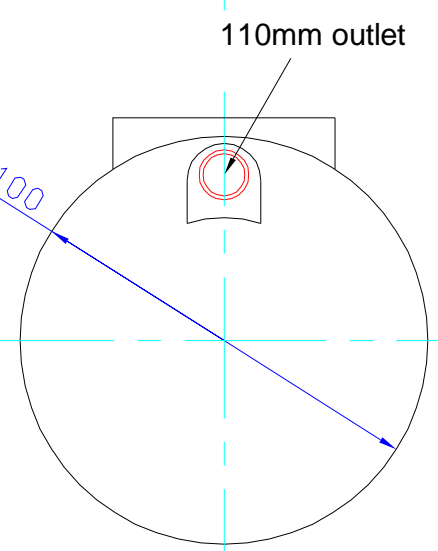
Plan



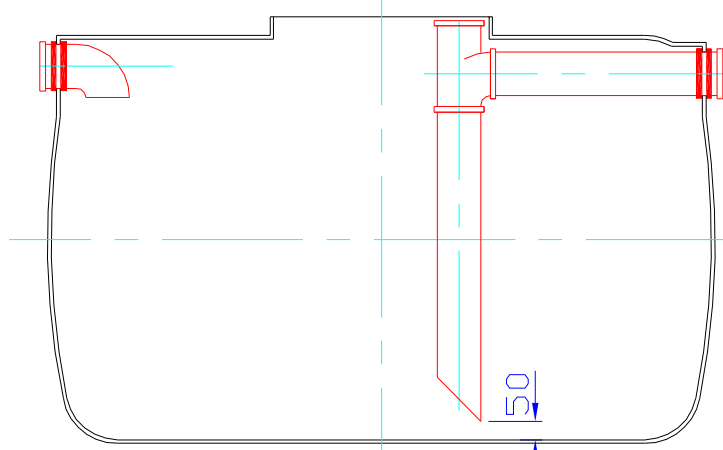
Side Elevation



View on A



View on B



Section Through

Scale:	1:20		Title:	Grease Trap 1200 Litre	
Drawn by:	L.J.H.			Drawing No:	2000
Date:	10-2006		Revision:		