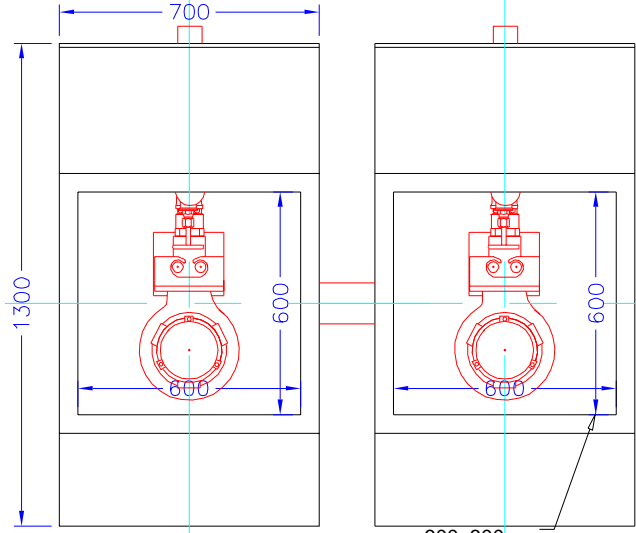
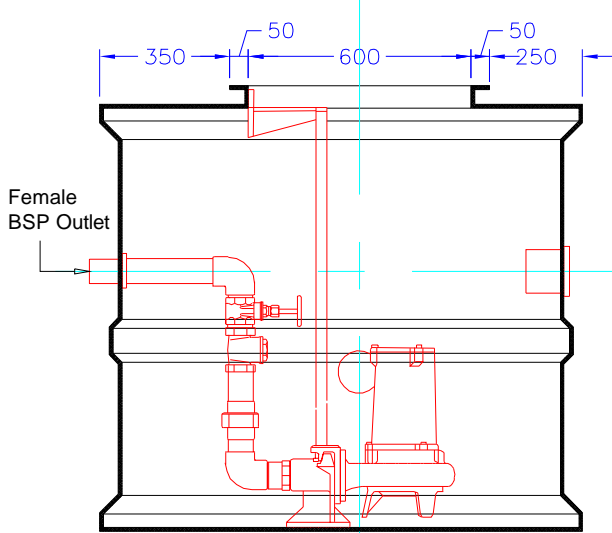
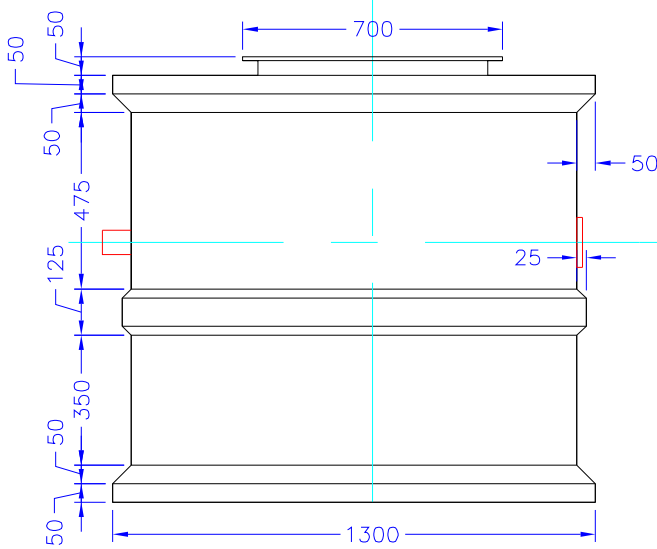


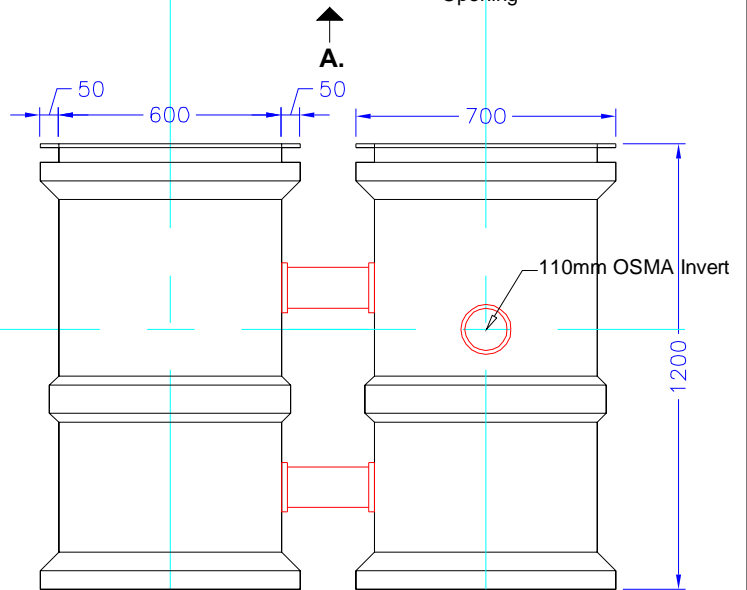
Plan.



Section Through.



Side Elevation.



Elevation A.

polytek UK limited

Haven Works, Water Lane, Exeter, EX2 8BZ, United Kingdom
Telephone: +44(0)1392 204116 Fax: +44(0)1392 204114
enquiries@polytekuk.com www.polytekuk.com

Scale: 1:20
Drawn by: R.G.W.
Date: 10-2003

Title: Twin Polysump 900 Single Pump
Drawing No: 1052
Revision:

© This drawing is the property of Polytek UK Ltd - Reproduction without consent is prohibited.