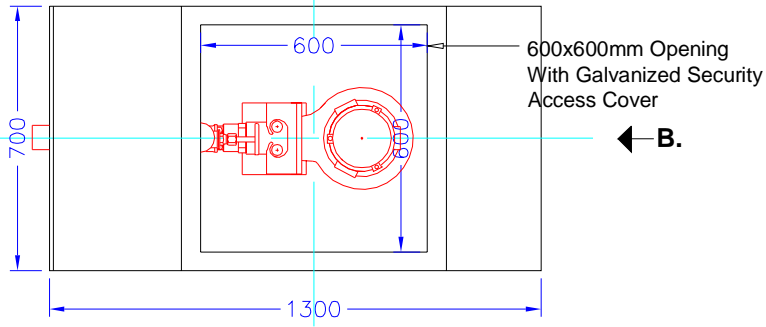
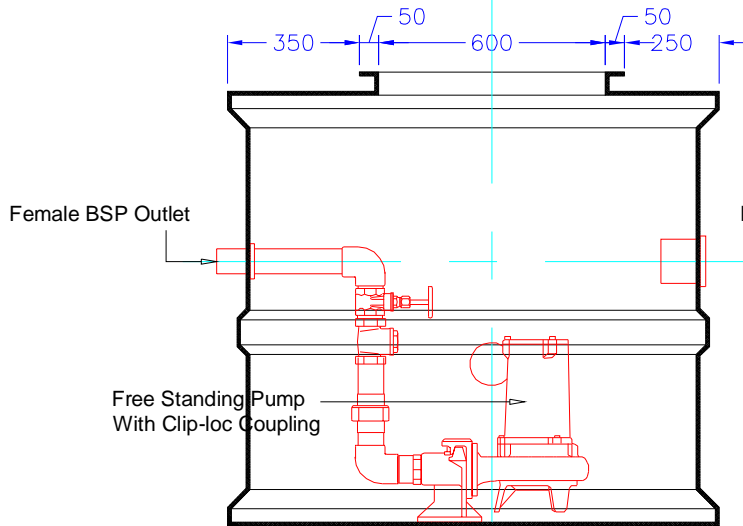


A. →

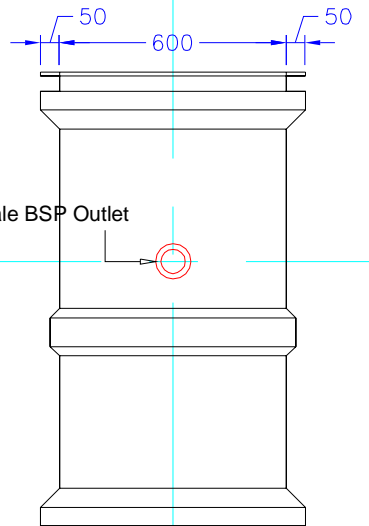


Plan.

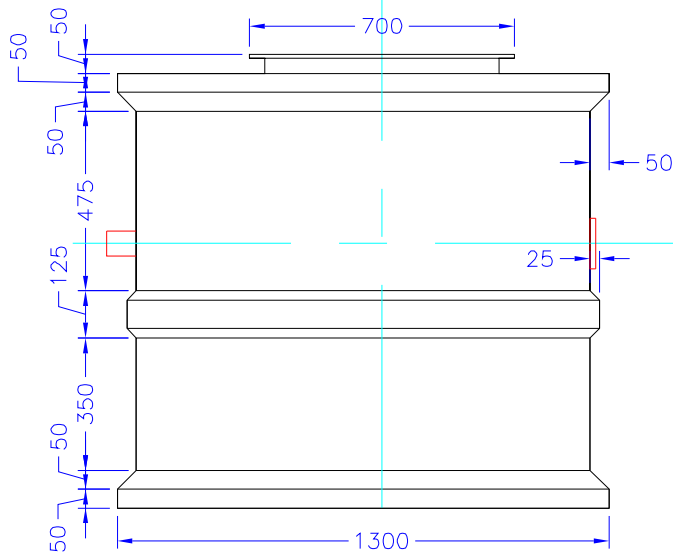
← B.



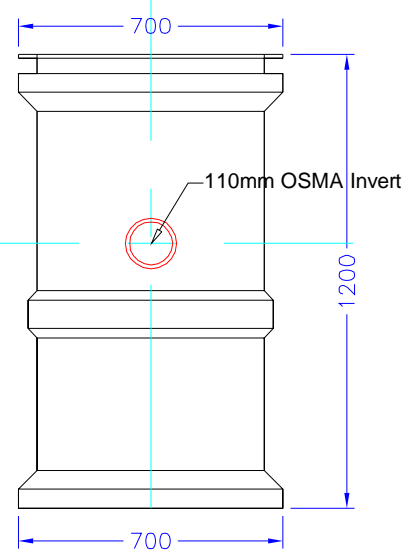
Section Through.



Elevation A.



Side Elevation.



Elevation B.

Scale:	Title:	
1:20	Micro Pump Station 900 Litre	
Drawn by:	Revision:	
R.G.W.		
Date:	Drawing No:	Revision:
10-2003	1051	