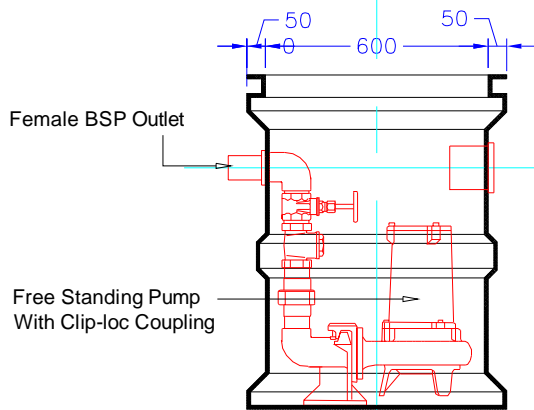
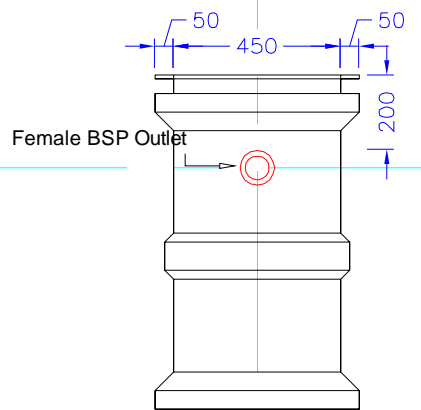


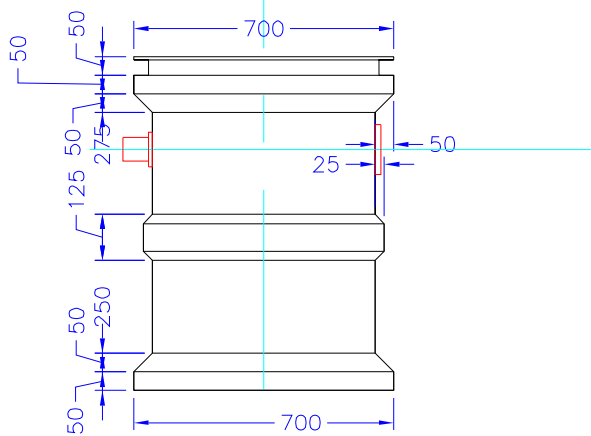
**Plan.**



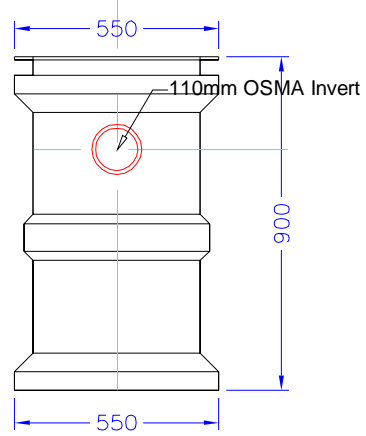
**Section Through.**



**Elevation A.**



**Side Elevation.**



**Elevation B.**

Scale:	1:20	
Drawn by:	R.G.W.	
Date:	11-2003	Revision:
Title:	Micro Pump Station 200 Litre	Drawing No:
	1056	