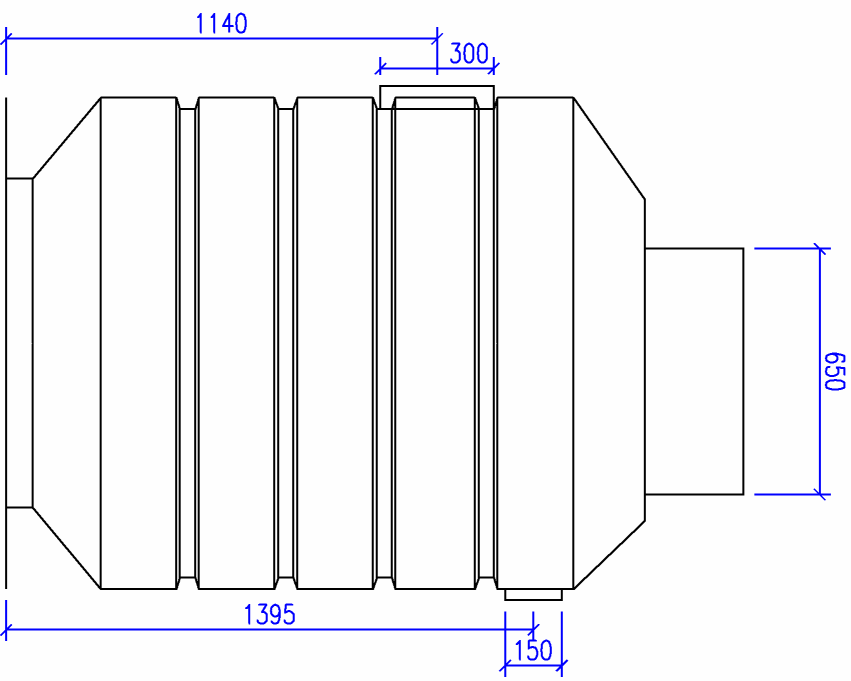
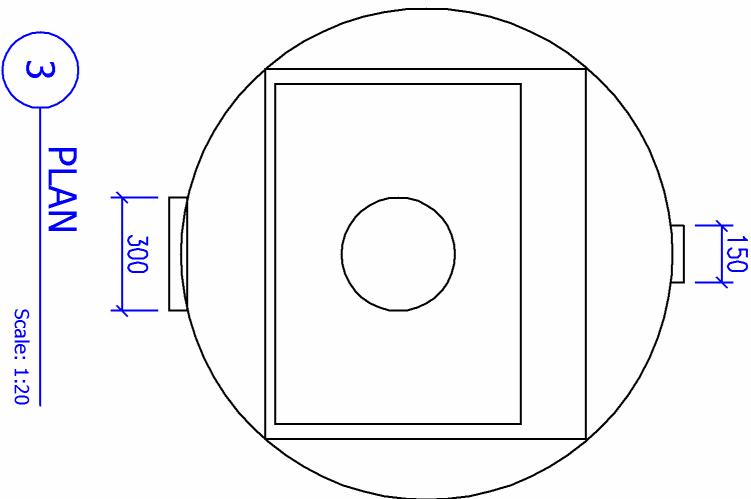


**1 FRONT ELEVATION**  
Scale: 1:20



**2 SIDE ELEVATION**  
Scale: 1:20



**3 PLAN**  
Scale: 1:20

Scale:	1:20	Title:	1300mm x 2.00m depth
Drawn by:	J.W.	Drawing No.:	MD01
Date:	07/2010	Revision:	