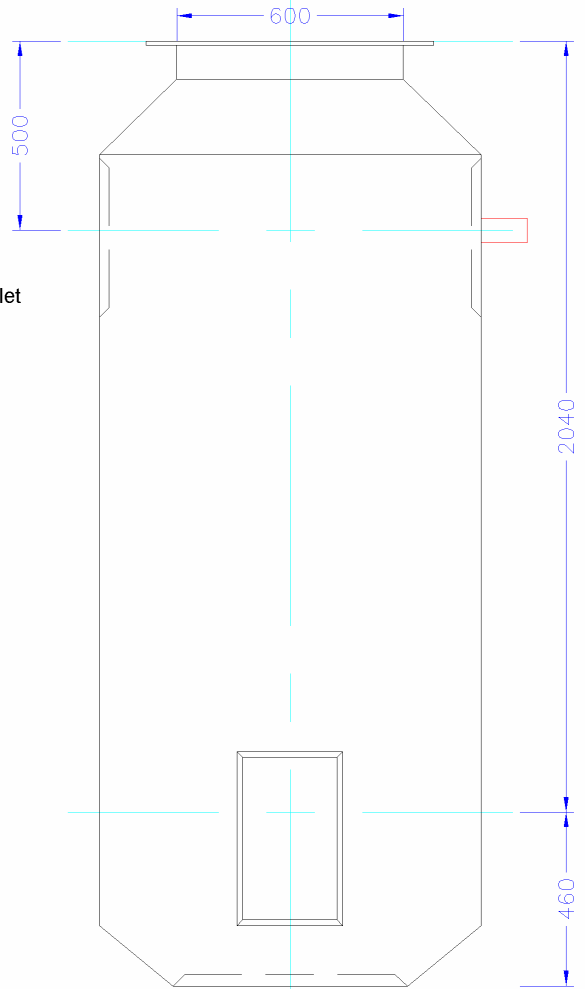
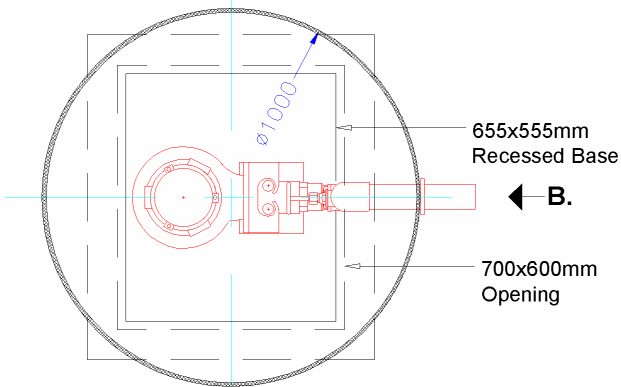


Section Through.



Elevation A.



Section Through Plan.

↑
A.

Typical Arrangement
of 1000 Series Single
Pumping Station

Scale:	1:20		Title:	1000mm x 2.5m depth Single Pump	
Drawn by:	R.G.W.		Date:	02-2003	Revision:
	Drawing No:	1016			