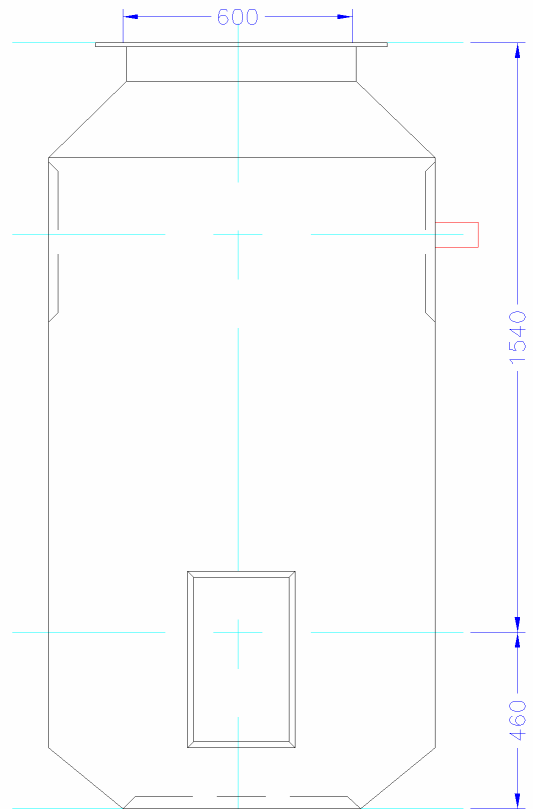
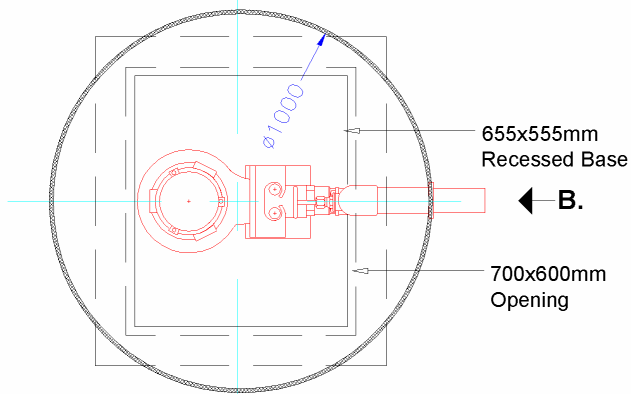


**Section Through.**



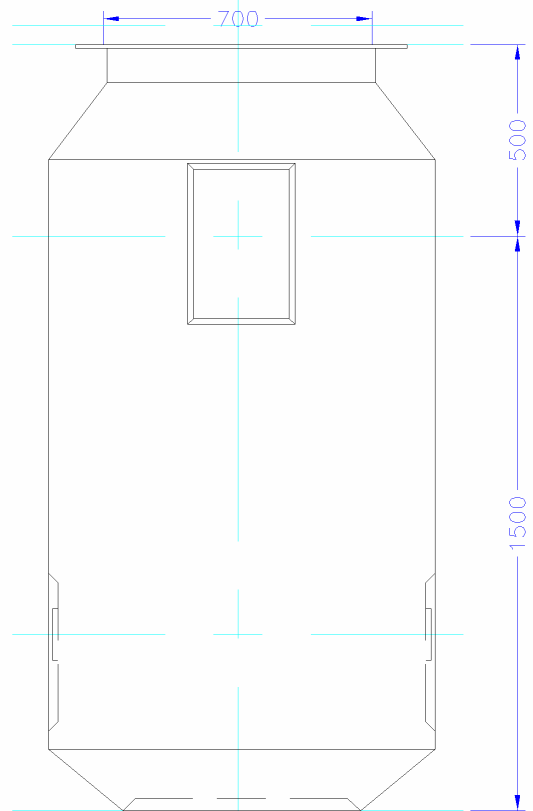
**Elevation A.**



**Section Through Plan.**

▲  
**A.**

Typical Arrangement  
of 1000 Series Single  
Pumping Station



**Elevation B.**

Scale:	1:20	Title:	
Drawn by:	R.G.W.	1000mm x 2.0m depth Single Pump	
Date:	02-2003	Drawing No:	1015
		Revision:	