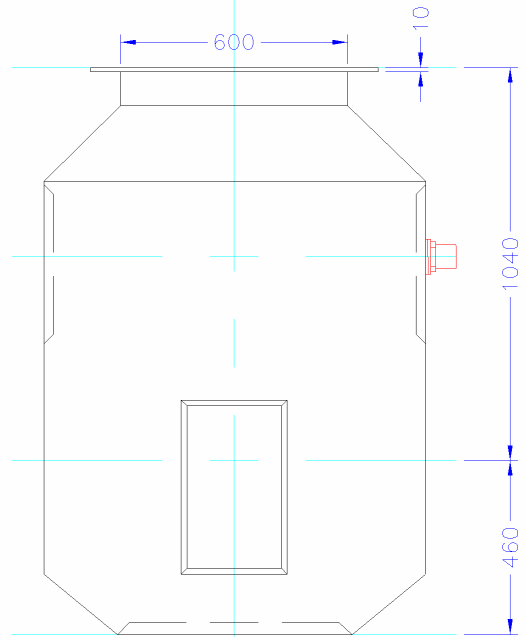
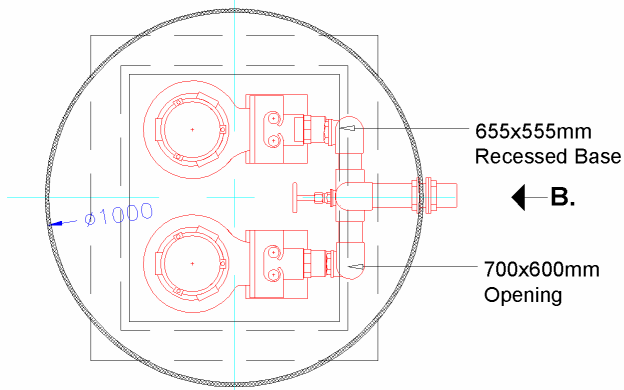


Section Through.



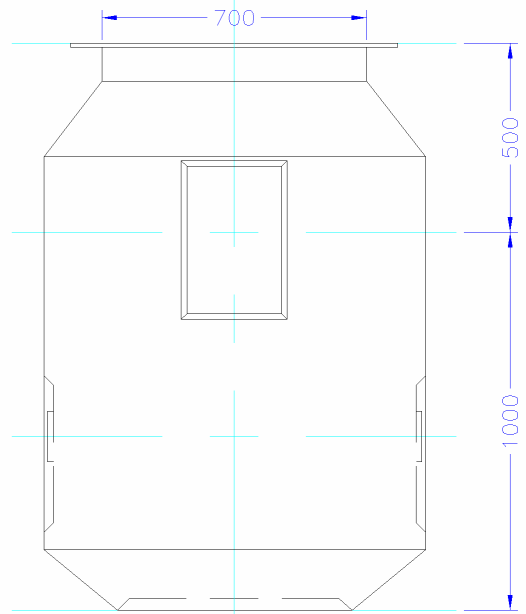
Elevation A.



Section Through Plan.

A.

Typical Arrangement
of 1000 Series Twin
Pumping Station



Elevation B.

Scale:	Title:	
1:20	1000mm x 1.5m depth Twin Pump	
Drawn by:		
R.G.W.		
Date:	Drawing No:	Revision:
02-2003	1017	