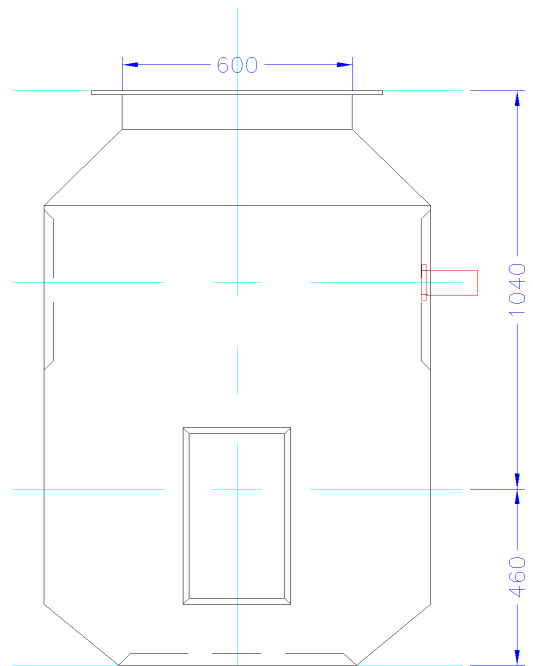
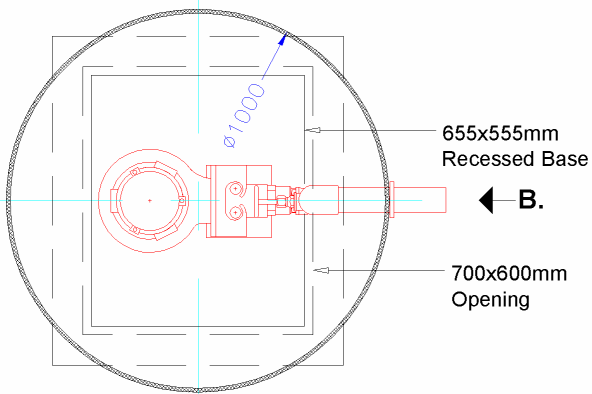


Section Through.



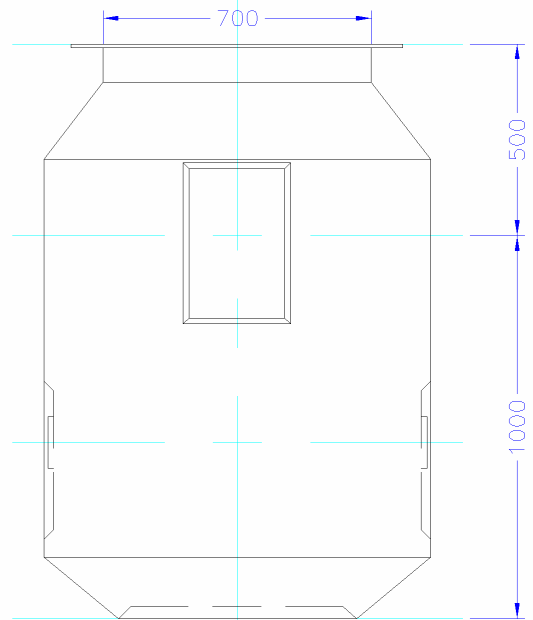
Elevation A.



Section Through Plan.

▲
A.

Typical Arrangement
of 1000 Series Single
Pumping Station



Elevation B.

Scale:	Title:	
1:20	1000mm x 1.5m depth Single Pump	
Drawn by:	Revision:	
R.G.W.	1014	
Date:	Drawing No:	Revision:
02-2003	1014	